

TECHNICAL SPECIFICATION

Capacitor batteries for reactive energy compensation



Descriptions:

Capacitor batteries HY 111 series are specially designed three phase dry capacitors for compensation of reactive energy and correction of the capacity factor. It represents an aluminum cylindrical body in which a metal polypropylene folio is mounted which does not require special impregnation. The permittivity characteristics are acquired through filling with a special mixture on a vegetable base (resins). The capacitor battery is constructed in such a way that at failure (overload from voltage, current or temperature) breaks the connection to the upper cover where are the connections to the power supply. This is done by a specially constructed valve for overpressure mounted right above the capacitor element. The breaking of the inner couplings provides protection to the staff and environment from damage due to capacitor element failure. There is a three phase capacitor in the cylindrical body with built in resistor for rarefying the capacitors. The capacitor battery can be used both for passive and active compensation.

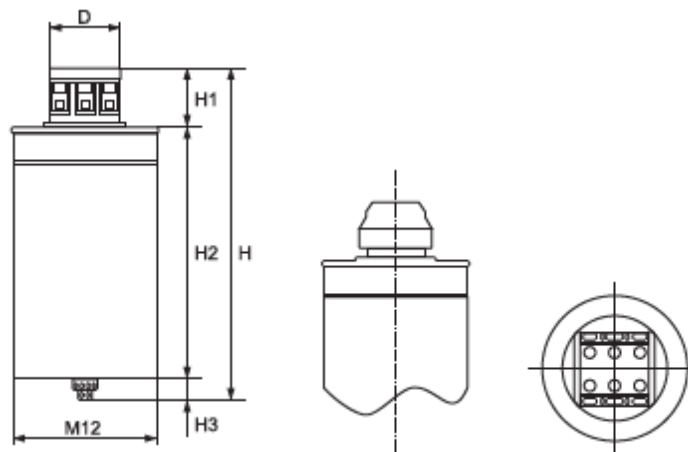
Technical data:

- Rated operating voltage: 450V; 50Hz
- insulation voltage: 690V
- Surge voltage wear resistance: 6kV per minute
- Capacity: from 5,0 to 100,0 kVAr at 450V
- Tolerance: $\pm 5\%$
- Operating temperature: $-40^{\circ}\text{C} - +65^{\circ}\text{C}$
- Capacity losses: 0.5W/kVAr
- Built in discharging resistance
- Admissible current overload: twice as much the peak current
- Discharge time: <50V per minute
- Altitude: 2000m

Mounting:

- With bolt M12 or M16 to a flat horizontal base

Dimensions:



D	H1	H3
30	35	16

Variants:

Type of the battery	Dimensions H / Ø (mm)	Operating Voltage (V)	Battery capacity (kVAr)	Capacity (µF)	Packing / Box (pcs)	Catalogue number
HY 11A5	210 / 76	450	5.0	3X26.2	6	49005
HY 11A7	210 / 76	450	7.5	3X39	6	49007
HY 111A10	240 / 76	450	10.0	3X52.4	6	49010
HY 111A15	240 / 86	450	15.0	3X78.9	6	49015
HY 111A20	240 / 116	450	20.0	3X105	6	49020
HY 111A30	280 / 160	450	30.0	3X157	6	49030
HY 111A50	345 / 180	450	50.0	3X262	6	49050
HY 111A100	300 / 300	450	100.0	3X524	6	49100
HY 111A12*	230 / 85	690	12.5	3X27.9	6	49031
HY 11A25*	280 / 115	690	25	3X55.7	6	49032

Standards:

EN 60831-1

EN 60831-2

